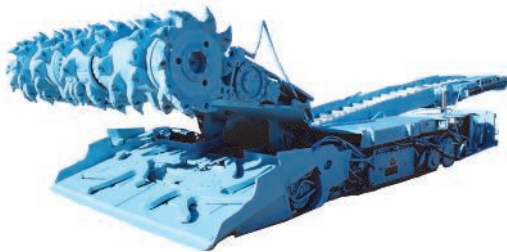


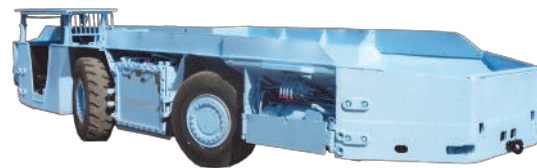


JD400 DIGITAL AC / DC DRIVE

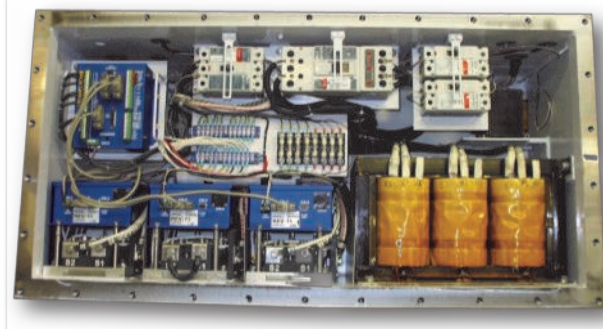
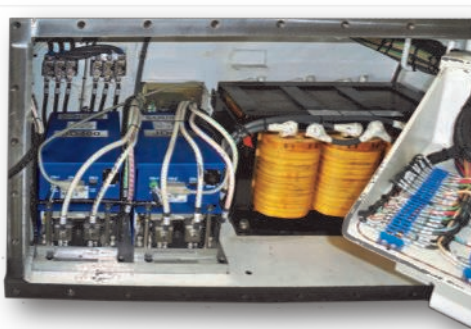
(FOR CONTINUOUS MINERS AND SHUTTLE CARS)



**Continuous Miner
Two Drive System**



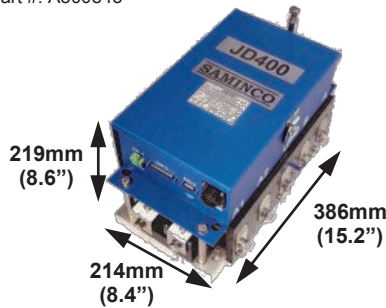
**Shuttle Car
Three Drive System**



See videos of our products in operation at www.samincoinc.com

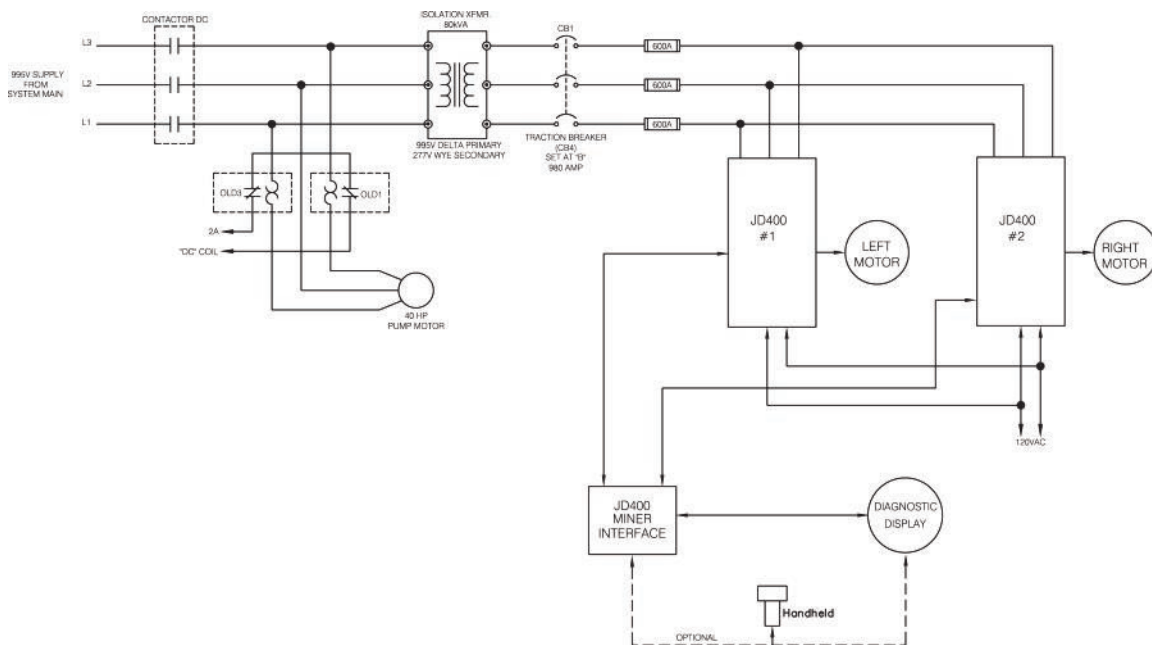
JD400 TRACTION DRIVE FOR CONTINUOUS MINERS
ELECTRICAL SPECIFICATIONS

Part #: A800843



	JD400 Continuous Miner	
Rated Power	Input (AC)	Output (DC)
Power @ Rated Volts	68kVA @ 480V	50kW @ 500V
Frequency Range	50/60 Hz	DC
Voltage Range	3PH 480VAC	0 - 500VDC
AMPS @ Rated Power	82A @ 68kVA	100A @ 50kW (400 peak)

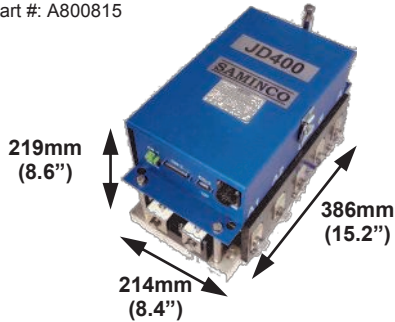
SUGGESTED CONNECTION DRAWING (SYSTEM # A800822)



Description	Specifications for Continuous Miner System (800843)
Power	
Output Current	140 A Continuous (40HP Motor)
20 Seconds Overload Capability	300% (400A) Continuous Rating Heatsink Temperature <90°C
Main Voltage	240V to 550VAC 3 phase 50/60Hz
Control Supply	120VAC
Control I/O	
Eight Control Discrete Inputs	120VAC Rating (Control Inputs)
One Analog Input	200:5 / 100:5 Cutterhead Feedback
Communication	
CAN-BUS	System communication, Handheld programmer
RS-232	Firmware update programming port (CN3 on the JD400)
Protective Functions	
Thermal Protection	Heat Sink Over-temperature Alarm at 90°C and Shutdown at 95°C
Motor Overload	Electronic Time trip
Overcurrent Protection	Instantaneous electronic over current protection (600A)

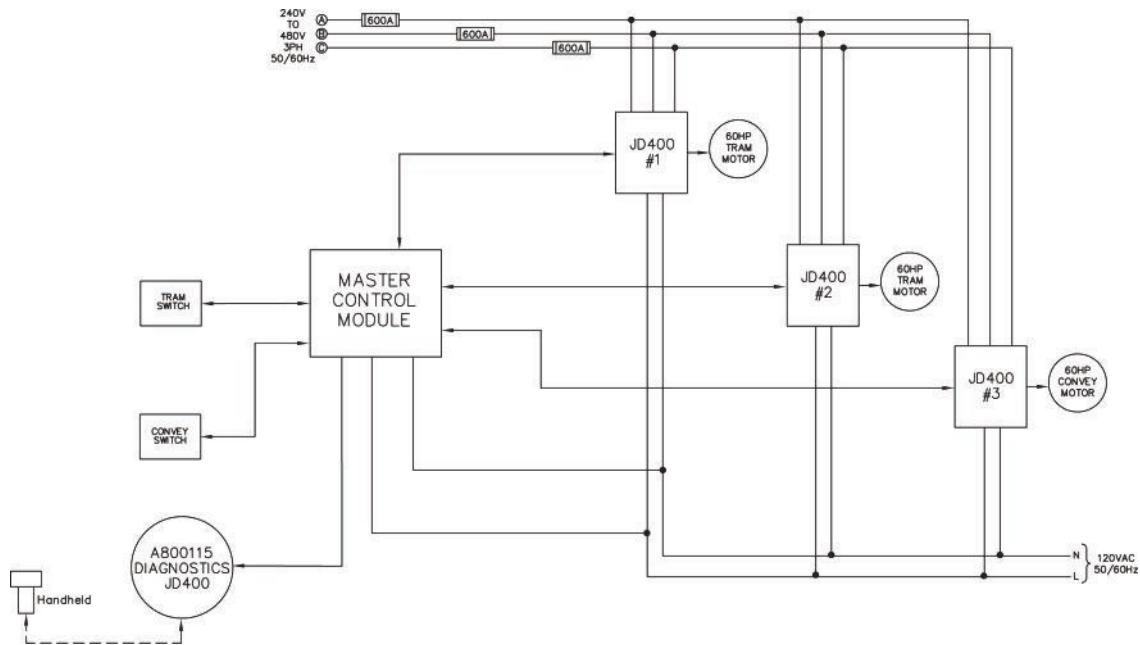
JD400 TRACTION DRIVE FOR SHUTTLE CARS
ELECTRICAL SPECIFICATIONS

Part #: A800815



Rated Power	JD400 Shuttle Car	
	Input (AC)	Output (DC)
Power @ Rated Volts	68kVA @480V	50kW@500V
Frequency Range	50/60 Hz	DC
Voltage Range	3PH 480VAC	0 - 500VDC
AMPS @ Rated Power	82A @ 68kVA	100A @ 50kW (400 peak)

SUGGESTED CONNECTION DRAWING (SYSTEM # A800821)



Description	Specifications for Shuttle Car System (A800815)
Power	
Output Current	140 A Continuous (40HP Motor)
20 Seconds Overload Capability	300% (400A) Continuous Rating Heatsink Temperature <90°C
Main Voltage	240V to 480VAC 3 phase 50/60Hz
Grounding Configuration	Full Floating, Grounded Positive, or Grounded Negative
Control Mode	Phase angle control
Control I/O	
Three Discrete Inputs	24V DC Rating (FWD, REV, Neutral)
Two Analog Inputs	0 to 4V DC (Reference Tram RHT and LHT, Reference Conveyor)
Communication	
CAN-BUS	System communication, Handheld programmer
RS-232	Firmware update programming port (CN3 on the JD400)
Protective Functions	
Thermal Protection	Heat Sink Over-temperature Alarm at 90C and Shutdown at 95C
Motor Overload	Electronic Time trip
Over current Protection	Instantaneous electronic over current protection (600A)

**OPTIONS* FOR THE
JD400**

Part Name	Description	SAMINCO Part Number
JD400 Continuous Miner		A800822
Drive	Digital 240-550VAC	A800843
Interface	Master Control Module	A800817
Diagnostic Display	Diagnostic Display with programming port	A800348
Cable	Cable JD400 to MCM	W6004-067
Cable	Cable 25CON Sub-D 36"	W6004-001
Cable	Cable 25CON Sub-D 72"	W6004-067
JD400 Shuttle Car		A800821
Traction Drive	Digital 240-550VAC	A800815
MCM	Master Control Module	A800816
MCM	Master Control Module with Proximity Detection Feature	A800825
MCM with joystick	Optional Master Control Module with joystick	A800826
Cable	Cable 25CON Sub-D 36"	W6004-001
Cable	Cable Foot Switch to MCM 4CON 22AWG 30'	W6004-181
Cable	<i>If replacing JS400 system:</i> CM to JD400 drive 18CON 22AWG 16pin 72"	W6004-160
Cable	<i>If replacing JS400 system:</i> MCM to JD400 18CON 22AWG 16pin 72" with flying leads	W6004-161
Fuse	Fuse 600A 300VDC	F9002-086
FS400	Foot Switch	A800498
CS300	Conveyor speed control hand switch (speed reference + FWD/REV + Neutral)	A800300
CS305	Conveyor speed control hand switch detented travel 13 position	A800305
Diagnostic Display	Diagnostic Display with programming port	A800115
Parts Available for both systems		
Handheld Programmer	Provides read and write access to firmware parameter sets	A800220-1

*See your salesperson for all available options and configurations.

HIGHLIGHTS OF THE JD400

- Microprocessor controlled DC motor drive with advanced diagnostics and programmable features
- Regenerative braking capability and solid state reversing included in compact module
- Dual mode operation:
 - Current control for torque sharing (shuttle cars)
 - Voltage control for dual traction (continuous miners)

GENERAL SPECIFICATIONS OF THE JD400

Input Supply: 240-550VAC, 3 phase, 50/60 HZ *
Max Output Voltage: 0-99% of rectified input voltage (adjustable)
Regen Current: up to 80% of motor rating or 100A
Control Supply: 120VAC, single phase (supplied separately)

* Other voltages available.
Please contact factory for details.

Visit our website at www.samincoinc.com or email us at sales@samincoinc.com



FLORIDA
Headquarters

10030 Amberwood Rd. Fort Myers, FL 33913
 PH: 239-561-1561
 FAX: 239-561-1502

WEST VIRGINIA
Service Branch

517 Virginia Ave. Huntington, WV 25701
 PH: 304-523-4700
 FAX: 304-523-4039

COLORADO
Service Branch

Cedaredge, CO
 PH: 940-623-0000

SOUTH CAROLINA
Service Branch

Anderson, SC
 PH: 304-654-9054

INTERNATIONAL LOCATIONS:

Boksburg, South Africa PH: +11 397 6026
Australia PH: +86 15140090694
China PH: +61 2 9899 6857
Poland