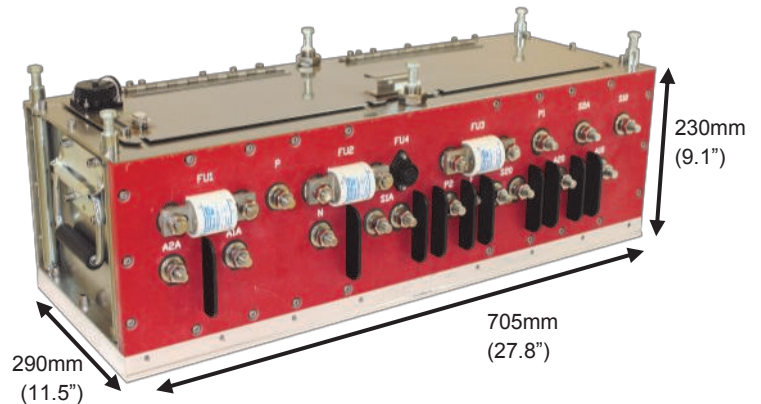


Q750 FOR SCOOPS

DIGITAL DC/DC CONTROLLER
50HP AT 120VDC



- Compact, digital DC/DC traction drive for scoops, coal haulers and utility vehicles
- Single motor or dual motor operation
- Microprocessor based drive system using the latest NPT (non-punch through) IGBT technology
- Automatic motor speed-limiting
- Compact enclosure houses all power control devices, capacitor bank and soft start devices.
- Torque control mode provides superb traction and acceleration.
- Rugged, short circuit proof power circuit provides excellent long term reliability.
- Comprehensive display housed in explosion proof headlight enclosure.
- Uses the same Handheld Programmer and user interface as our JD400, Q800 and VFD drive systems.
- Regenerative braking provides smooth, powerful, braking down to almost standstill. This feature greatly prolongs life of mechanical brakes.
- Solid State Reversing eliminates directional contactors from the system



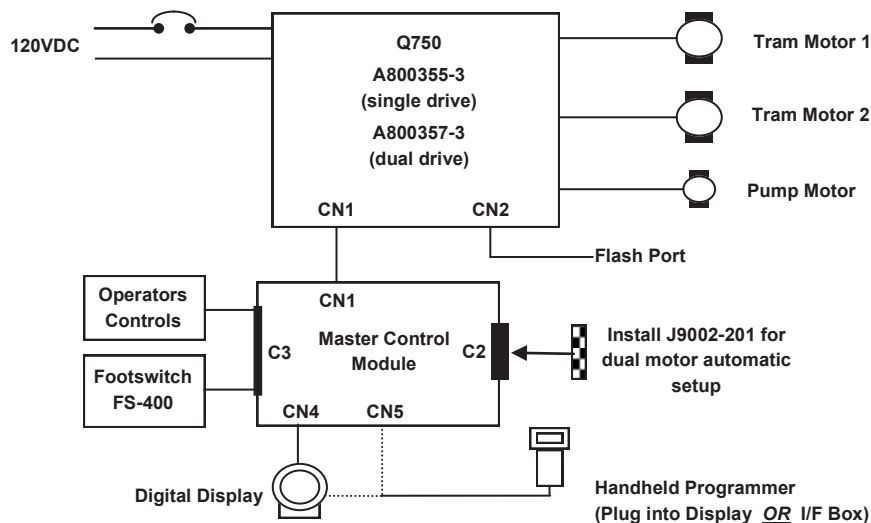
****NOTE:** With J9002-201 address plug on MCM CN2 connector, Q750 parameters will automatically change to dual motor mode.

Output Current: Single: 350A 1600A Peak
**Dual: 2 x 350A 800A Peak

Over-current Protection: Magnetic circuit breaker in DC supply (customer supplied) instantaneous cut-out if motor current exceeds 2500A for 100HP.

Specifications	Q750 Single Drive (A800355-3)		Q750 Dual Drive (A800357-3)**	
	Input	Output	Input	Output
Power @ Rated Volts	44kW @120V	42kW @ 120V	87kW @ 120V	84kW @ 120V
Frequency Range	DC	DC	DC	DC
Voltage Range	80 - 160VDC	0 - 98%V in	80 - 160VDC	0 - 98%V in
AMP @ Rated Power	370A @ 44kW	350A @ 42kW	725A @ 87kW	2 x 350A

SUGGESTED CONNECTION DRAWING

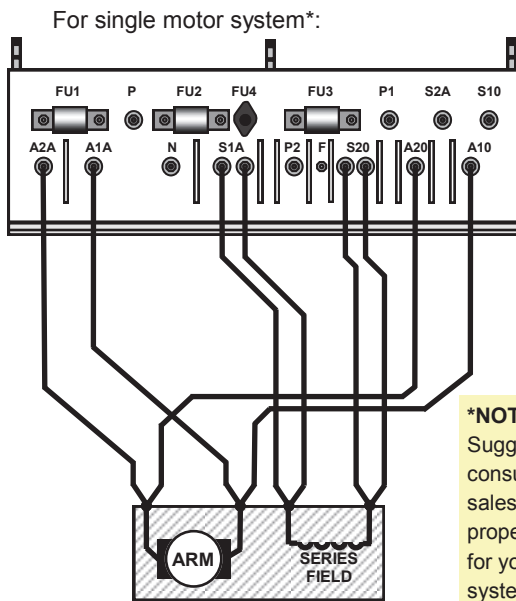


Q750 FOR SCOOPS

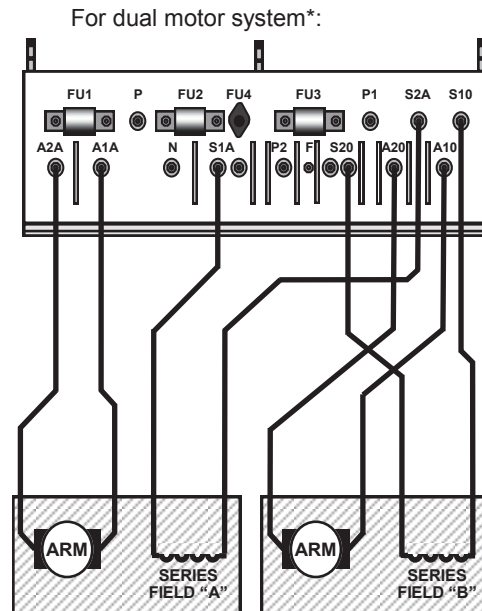
DIGITAL DC/DC CONTROLLER
50HP AT 120VDC



SUGGESTED MOTOR WIRING CONNECTIONS



Single Motor

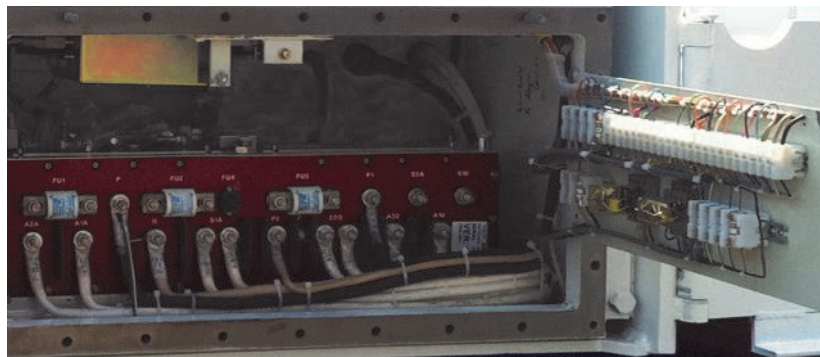


Motor "A"

Motor "B"

***NOTE:**
Suggestions only,
consult with your
salesperson for
proper connections
for your specific
system.

Typical Installation in
XP box.



OPTIONS* FOR THE Q750 SYSTEM

Part Name	Description	Part Number
Q750	Single 40kW (53HP) / 120VDC Drive	A800355-3
Q750	Dual 80kW (100HP) / 120VDC Drive	A800357-3
Parts available for both systems		
Master Control Module	Interface Box	A800365
SR-300	Option #1 Footswitch	A800281
FS400	Option #2: Footswitch	A800498
Diagnostic Display	With programming port	A800348
Handheld Programmer	Provides read and write access to firmware parameter sets	A800220
Cable Kit	Cable kit for the Q750	W6005-121
Cable	Cable 18CON 16Pin 72in, MCM to terminal C1	W6004-048
Cable	Cable 25CON Sub-D 36in, drive to MCM	W6004-001

*See your salesperson for all available options and configurations.

Visit our website at www.samincoinc.com or email us at sales@samincoinc.com



FLORIDA
Headquarters

10030 Amberwood Rd.
Fort Myers, FL 33913
PH: 239-561-1561
FAX: 239-561-1502

WEST VIRGINIA
Service Branch

517 Virginia Ave.
Huntington, WV 25701
PH: 304-523-4700
FAX: 304-523-4039

COLORADO
Service Branch

Cedaredge, CO
PH: 940-623-0000

SOUTH CAROLINA
Service Branch

Anderson, SC
PH: 304-654-9054

INTERNATIONAL LOCATIONS:

Boksburg, South Africa PH: +11 397 6026
Australia PH: +86 15140090694
China PH: +61 2 9899 6857
Poland