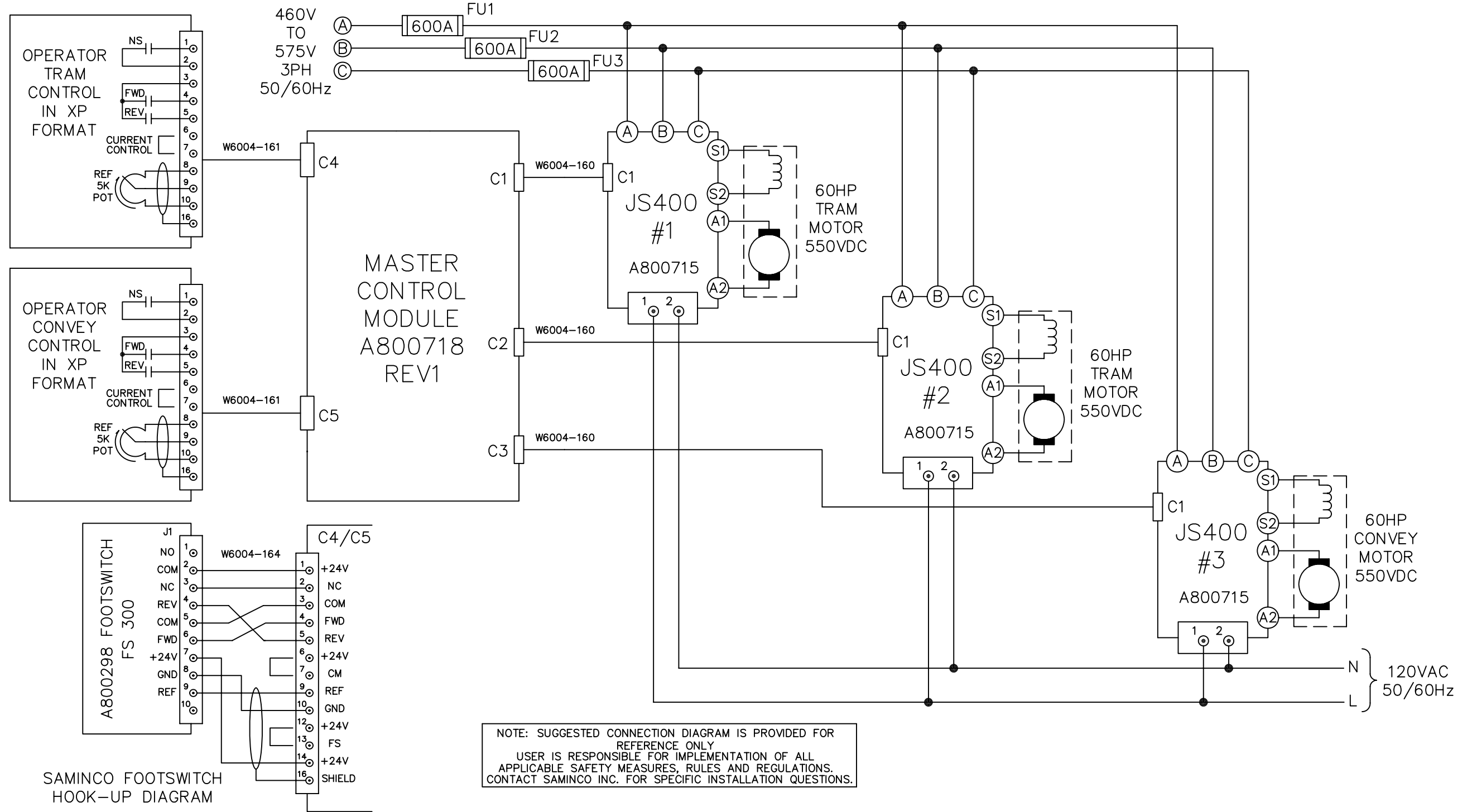


CONFIDENTIAL: THIS DOCUMENT AND ALL INFORMATION CONTAINED, INCLUDING ALL OF THE DETAILS AND CONCEPTS DISCLOSED OR SUGGESTED IS THE EXCLUSIVE PROPRIETARY PROPERTY OF SAMINCO, AND IS DISCLOSED WITH THE UNDERSTANDING THAT IT WILL NOT BE DUPLICATED IN WHOLE OR IN PART, AND THAT IT WILL NOT BE USED FOR ANY OTHER PURPOSE THAN THAT FOR WHICH IT IS DISCLOSED.



UPGRADES
 A | 30 MAR 01 / AGK
 ADDED FS300 DIAGRAM
 PER AGK
 B | 12 APR 01 / AGK
 ADDED CABLE P/N W6004-164
 PER AGK

CONFIDENTIAL
 SAMINCO INC.

1 | DATE | BELONGS TO SYSTEM
 XXXXXXXX
 TOP LEVEL PART NAMES

ENG	BWP	31 JAN 00
DRAWN	BMS	31 JAN 00
CHK'D		
APP'D		
CIRCULATION		
FILE	01	

SAMINCO

10030 AMBERWOOD ROAD, FT. MYERS, FL. 33913
 OFFICE (239) 561-1561 FAX (239) 561-1502
 EMAIL: SAMINCO@SAMINCOINC.COM

JS400 3 MOTOR SYSTEM
SUGGESTED CONNECTION DIAGRAM

AUTO CAD #	SHEET	PART NUMBER
A800721C.DWG	1 OF 1	A800721