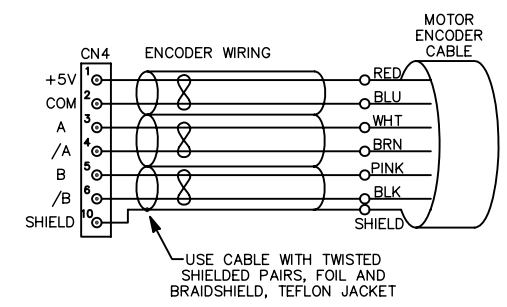
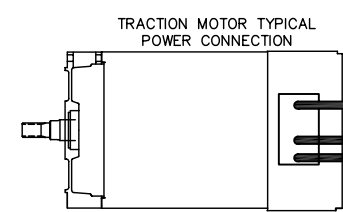


MOTORS SHOWN CONNECTED FOR FWD=CCW LOOKING AT SHAFT SUBJECT TO CHANGE BY MOTOR MANUFACTURER, OR REPAIR SHOP VERIFY DIRECTION!



CUSTOMER SUPPLIED

**UPGRADES**  
 A | 07 MAR 06 / JRB  
 PRODUCTION RELEASE  
 REV 0  
 B | 16 MAR 06 / JRB  
 REVISED CONTROLS AND  
 MOTORS WIRING  
 C | 28 MAR 06 / JRB  
 TGB, GF WIRING REVISED  
 PER AVS  
 1 | 01 NOV 06 / JRB  
 PRODUCTION RELEASE REV UPDATE  
 ENC CON# CHANGE PER ECN600

NOTE: SUGGESTED CONNECTION DIAGRAM IS PROVIDED FOR REFERENCE ONLY  
 USER IS RESPONSIBLE FOR IMPLEMENTATION OF ALL APPLICABLE SAFETY MEASURES, RULES AND REGULATIONS.  
 CONTACT SAMINCO INC. FOR SPECIFIC INSTALLATION QUESTIONS.

1 | DATE BELONGS TO SYSTEM

TOP LEVEL PART NAMES

...CONFIDENTIAL...  
 THIS DRAWING IS THE PROPERTY OF SAMINCO, INC. AND IS NOT TO BE REMOVED FROM THE PREMISES WITHOUT AUTHORIZATION FROM A SAMINCO EXECUTIVE.

THIS DOCUMENT AND ALL INFORMATION CONTAINED INCLUDING ALL OF THE DETAILS AND CONCEPTS DISCLOSED OR SUGGESTED ARE EXCLUSIVE PROPRIETARY PROPERTY OF SAMINCO. IT IS NOT TO BE COPIED, REPRODUCED, PUBLISHED, SUBMITTED TO OTHERS OR USED FOR MANUFACTURE WITHOUT THE SPECIFIC WRITTEN CONSENT OF SAMINCO. ALL PROPERTY RIGHTS AND THE RIGHT TO REQUEST IT'S RETURN ARE RETAINED BY SAMINCO, INC.

ENG	BWP	11 OCT 04
DRAWN	JRB	11 OCT 04
CHK'D		
APP'D		

CIRCULATION

FILE 01

**SAMINCO**

10030 AMBERWOOD ROAD, FT. MYERS, FL. 33913  
 OFFICE (239) 561-1561 FAX (239) 561-1502  
 EMAIL: SAMINCO@SAMINCOINC.COM

DC/AC SHUTTLE CAR SYSTEM  
 BLOCK DIAGRAM

AUTO CAD #	SHEET	PART NUMBER
A800377-REV 1	1 OF 1	A800377