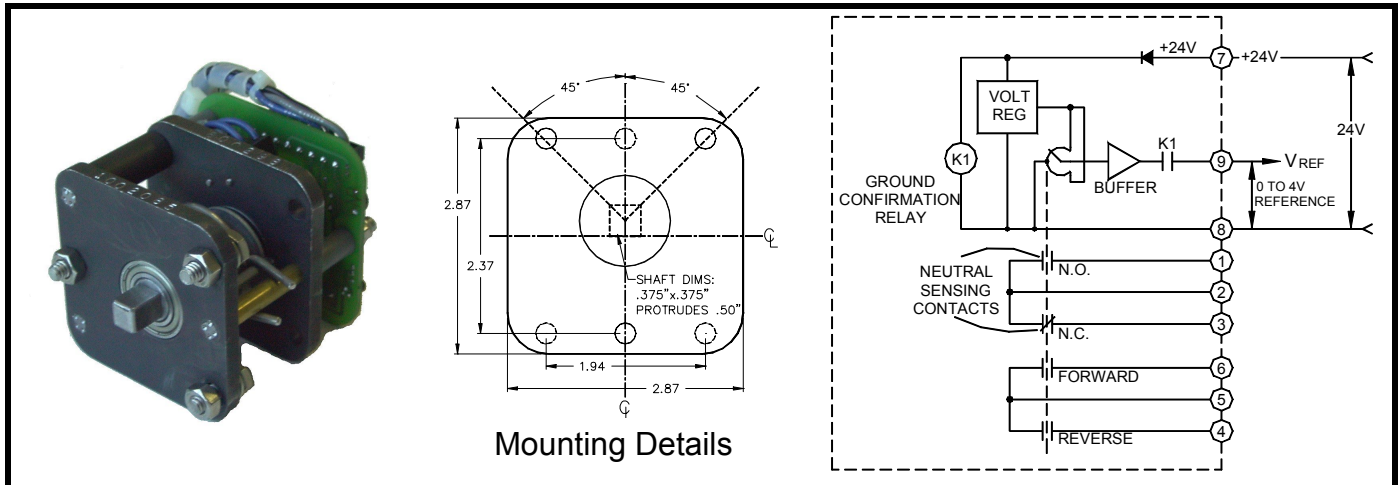


# FS300 Footswitch Assembly



- Rugged footswitch assembly for off-road electric vehicles
- Configured for symmetrical forward / reverse operation
- Mounts inside commonly -available explosion-proof housings used for shuttle cars, continuous miners and battery haulers
- Incorporates improved safety features:
  - Neutral sensing contact
  - Missing ground/common wire protection
- Gearless construction allows full 0 to 4V output variation for 0 to 45° foot pedal movement from either direction
- Buffered, low impedance output allows use with many different solid-state controllers
- DC supply input reverse polarity protected. Misconnection to other terminals will not damage

**SAMINCO Part Number:**      **A800298**

**SPECIFICATIONS:**

**Input Supply:**                    20VDC to 26VDC @ 20mA

**Output :**                            0 to 4VDC up to 10mA (0V = Neutral)

**Neutral:**                            N.O. (normally open) and N.C. (normally closed) contacts at "0" position rated 1A @ 30VDC

**Forward/Reverse:**                N.O. contact for Reverse; N.O. contact for Forward (Each rated 1A @ 30VDC)

**Saminco North**  
4500 State Rt. 152 Lavalette, WV 25535  
Phone: (304) 523-4700 Fax: (304) 523-4039

**Saminco**  
10030 Amberwood Road Fort Myers, FL 33910  
Phone: (239) 561-1561 Fax: (239) 561-1502