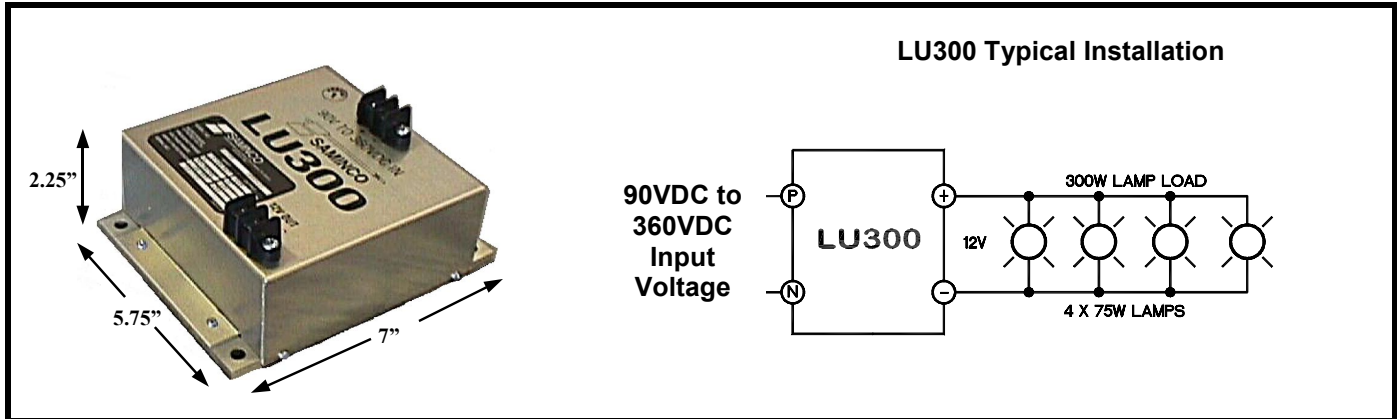


LU300
12VDC 300W Light Supply
 90V to 360VDC Input



- Compact, 12V, 300W light supply (25A@12V output) Fits mounting dimensions of other makes of 100W and 200W light supplies
- Wide input voltage range: 90VDC to 360VDC. Can be used with positive as well as negative grounded systems
- Output is fully isolated from input
- Input is reverse polarity protected
- Protected against output short circuits
- Used in battery or trolley-operated vehicles such as: scoops, portal buses, locomotives and shuttle cars
- Approved for use in Pennsylvania mines **Bote:1754-99**

<u>SAMINCO Part Number:</u>		A800433
<u>Specifications:</u>		
Input Voltage:	90V to 360V	<u>Isolation Rating</u>
Output:	25A @ 12V (300W)	Input to base plate: 2500VAC, RMS
Efficiency @ 300W:	83% (max. heat loss is 51W)	Input to output: 2500VAC, RMS
		Output to baseplate: 500VAC, RMS
 Thermal Impedance (baseplate to ambient):	0.6°C/W	
 Operating Temperature Range:	-20°C (12°F) to 60°C (140°F)	
 Maximum Heatsink Temperature:	85°C (185°F)	
 Protection:	-Output is short-circuit protected. -Input is reverse polarity protected. -LU300 cuts out if baseplate temperature exceeds 85°C (185°F). -LU300 cuts out without damage, if input voltage is sustained at 365V to 400VDC.	
 Series Connection:	The LU300 can be connected in series to provide 24V @ 25A or +/- 24V @ 25A.	
 Mounting:	Mount the LU300 on a solid metal frame to help dissipate heat generated at maximum output.	

Saminco North
 4500 State Rt. 152 Lavalette, WV 25535
 Phone: (304) 523-4700 Fax: (304) 523-4039

Saminco
 10030 Amberwood Road Fort Myers, FL 33910
 Phone: (239) 561-1561 Fax: (239) 561-1502