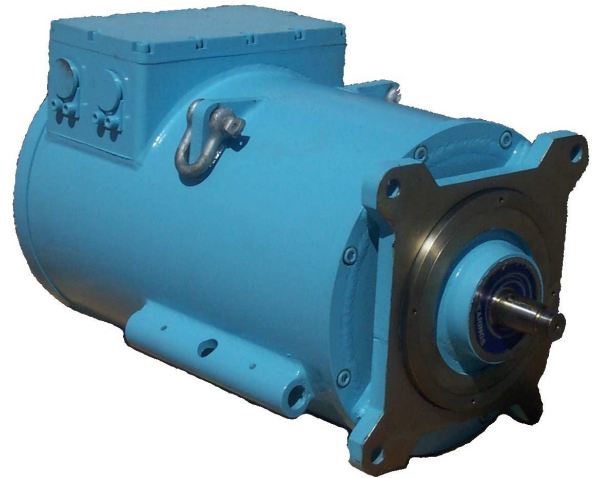


XV55

55KW 440VAC XP TRACTION MOTOR



SAMINCO		AC TRACTION MOTOR		
Power Rating	Voltage	Phase	Frequency	Model Number
75HP/55kW	440V	3	50Hz	M6005-001
Current	RPM	Duty	Frame	Serial Number
93A	1478	1-Hour	15190B	
Temp. Rise	Ins.	Enclosure	MSHA APPROVAL No.	
120°C	H	T.E.X.P.	07-JA050005-0	

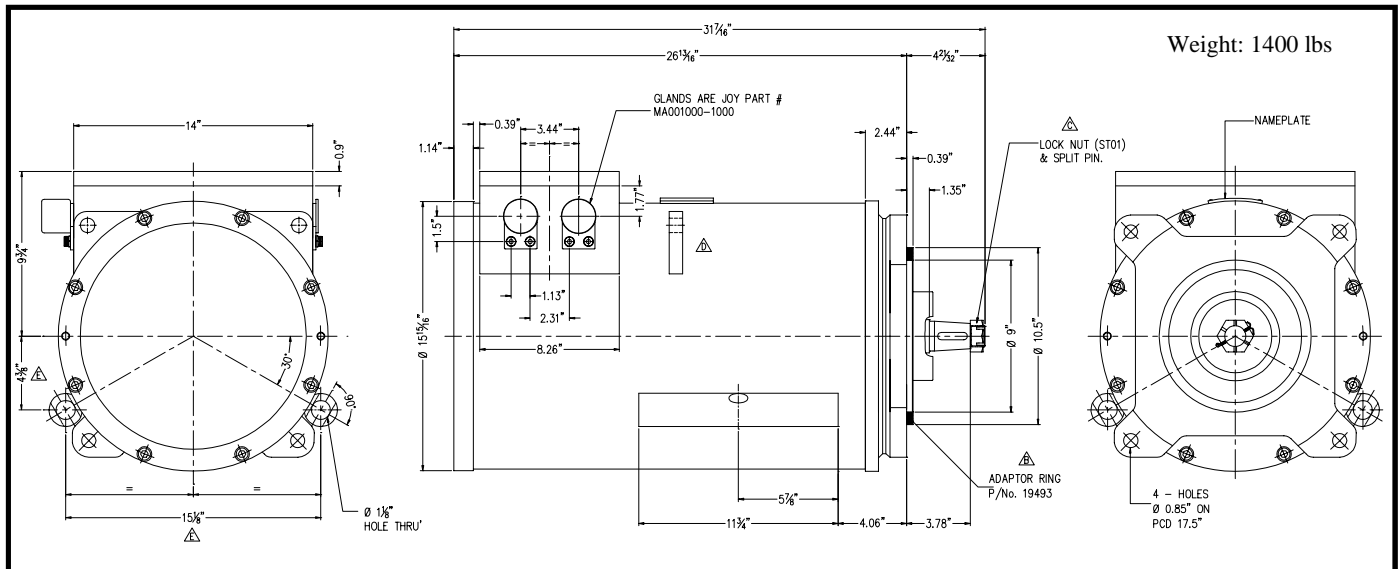


SAMINCO Part Number: M6005-001

55kW 440VAC 1478RPM

MSHA Approval number: 07-JA050005-0
Enclosure: TEXP, Explosion Proof
Duty Rating: 1 hour
Insulation: H

- MSHA approved Explosion proof AC traction motor
- Designed as a drop-in replacement for the 41J9 30HP DC traction motor
- Designed for use with the Saminco VF1-75 Variable Frequency Drive
- Capable of up to 300% nominal torque output
- Insulation system resistant to repeat transients and designed for excellent heat transfer
- Custom manufactured for Saminco
- Low-loss Copper-Barred rotor



WWW.SAMINCOINC.COM

Fort Myers Florida
Phone: (239) 561-1561 Fax: (239) 561-1502

Lavalette West Virginia
Phone: (304) 523-4700 Fax: (304) 523-4039

Norris City Illinois
Phone: (618) 599-2567 Fax: (618) 378-2402